

RoHS  
Compliant  
2002/95/EC

Specifications

Current & Voltage Rating : 2A & 100Vac

Insulation Resistance : 1000 MΩ min.

Contact Resistance : 20 mΩ max.

Dielectric Withstanding : AC 800 V

Operating Temperature : -25°C ~ +85°C

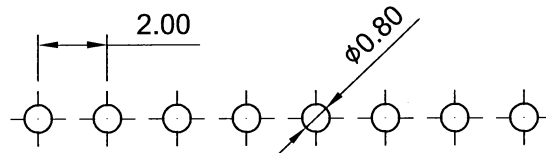
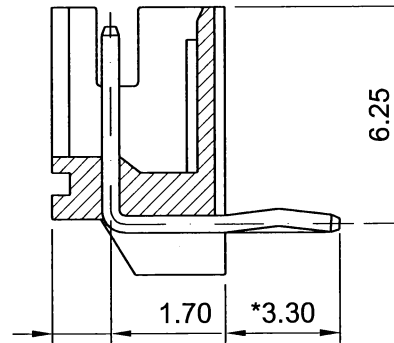
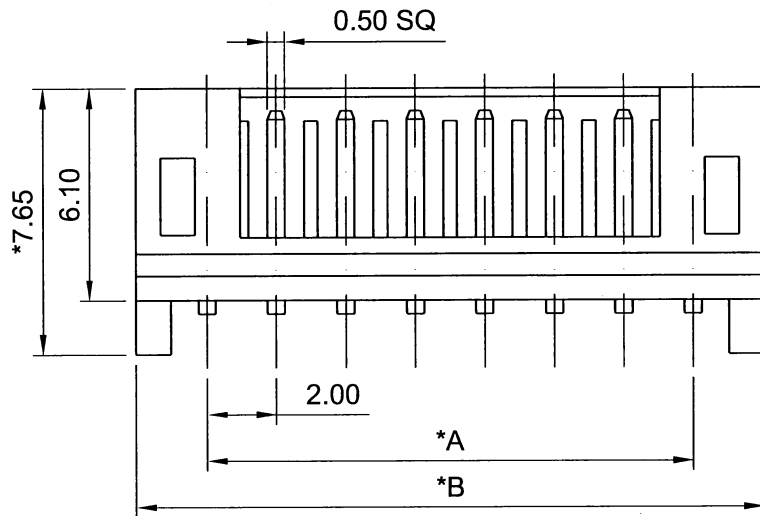
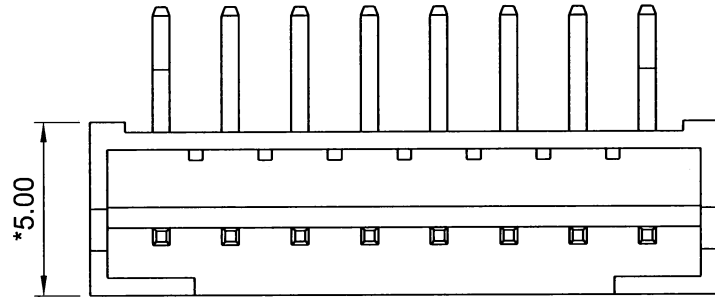
Contact Material : Brass

Insulator Material : Nylon 66, UL 94V-0

Finish : Gold plated on contact area / Tin plated on contact area

Applicable PC Board Thickness : 0.8 to 1.6mm

Packing : Bag



Recommended P.C.B. Layout

200F-WR-xxx

Plating

G : Gold plated on contact area

T : Tin plated on contact area (standard)

No. of contacts

No. of contacts	Dimension mm	
	A	B
02	2.0	6.04
03	4.0	8.04
04	6.0	10.04
05	8.0	12.04
06	10.0	14.06
07	12.0	16.06
08	14.0	18.08
09	16.0	20.08
10	18.0	22.10
11	20.0	24.10
12	22.0	26.12
13	24.0	28.12
14	26.0	30.14
15	28.0	32.14
16	30.0	34.14

**JAWS** 兆旭股份有限公司  
JAWS CO., LTD.

7F., No.31, Ln. 169, Kangning St., Xizhi Dist.,  
New Taipei City 221, Taiwan (R.O.C.)  
TEL:886-2-2692-2898  
FAX:886-2-2692-2618  
Http://www.jaws.com.tw

THIRD ANGLE  
PROJECTION

DESIGN UNITS  
■ mm □ INCH

SIZE: **A4** SCALE: **FREE** SHEET: **1/1**

CPN :  
DAN NO.: S10008-021

TITLE:  
**2.0mm Wafer Side Entry Dip Type**

PARTS NO.:  
**200F-WR-xxx**

DWG NO.:  
**JAWS-SOP-200F004**

GENERAL TOLERANCES:

X. ±N/A  
X.X ±0.30  
X.XX ±0.20  
ANGLE ±N/A

DRAWN	游熾瑩	DATE	2011/08/23
CHECKED	<i>Wang</i>	DATE	2011/08/23
APPROVED	<i>Pies</i>	DATE	2011/08/23